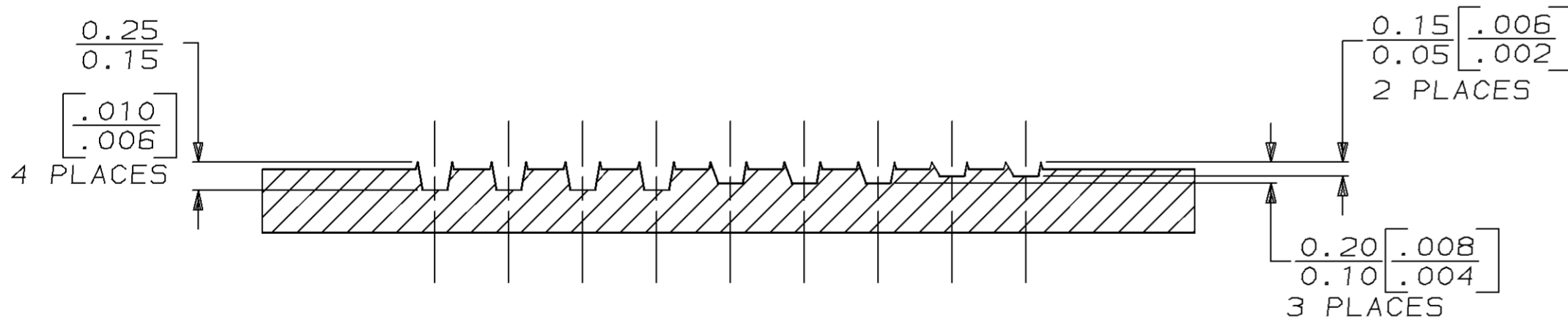
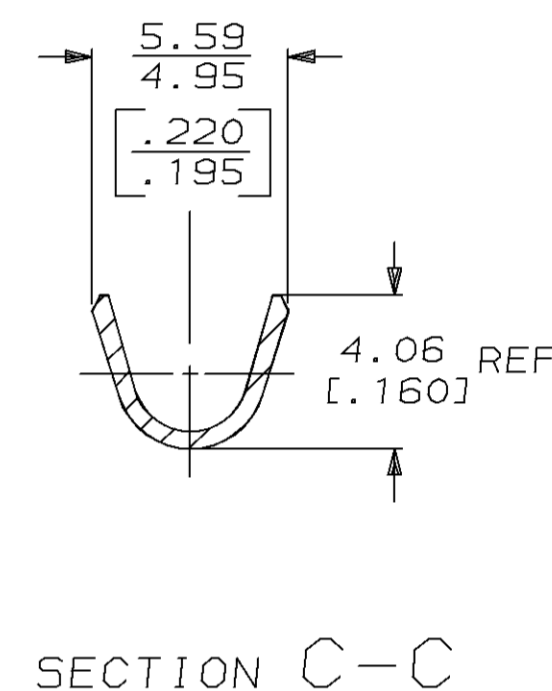
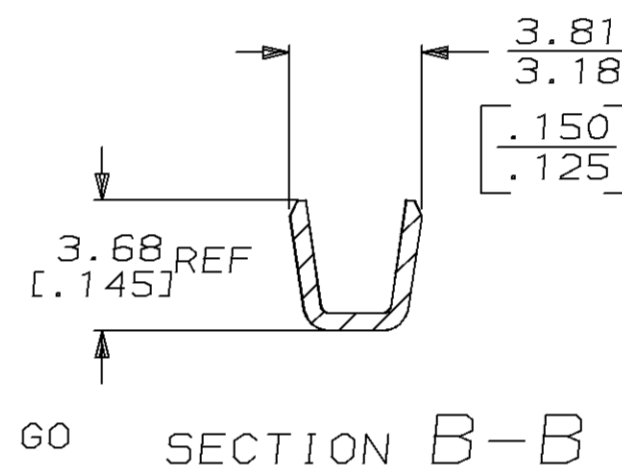
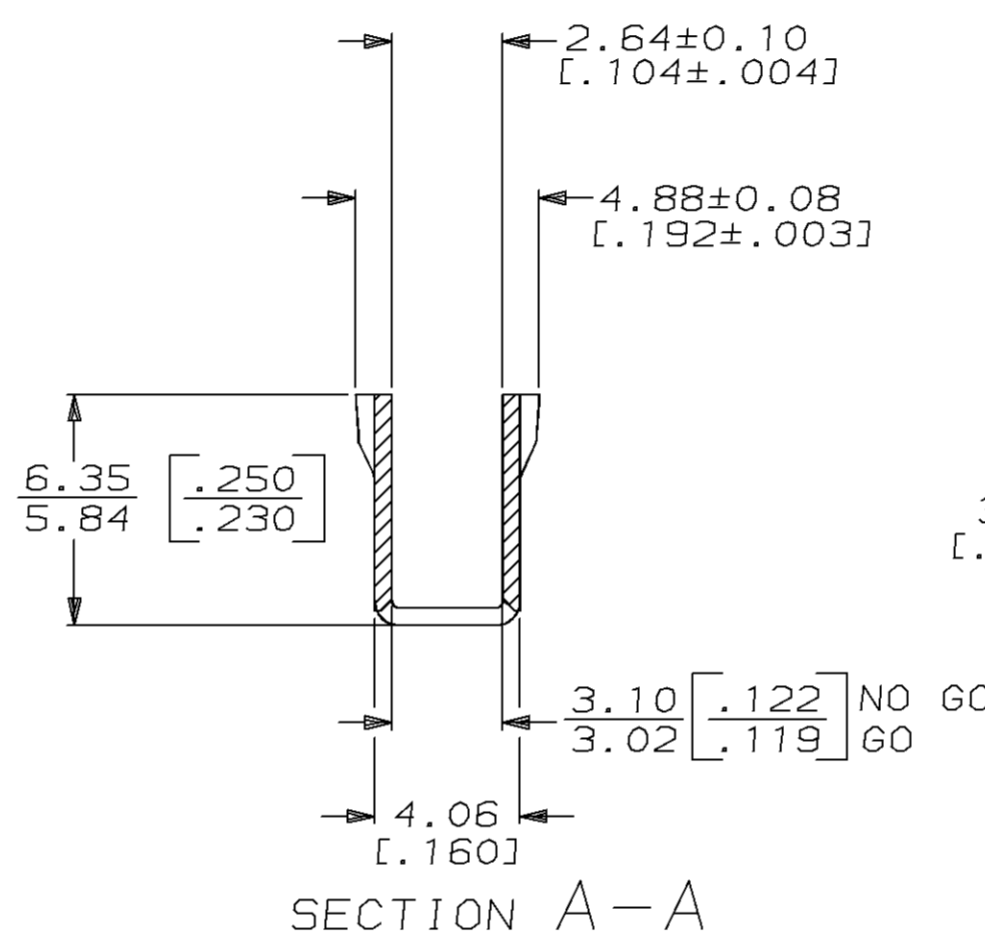
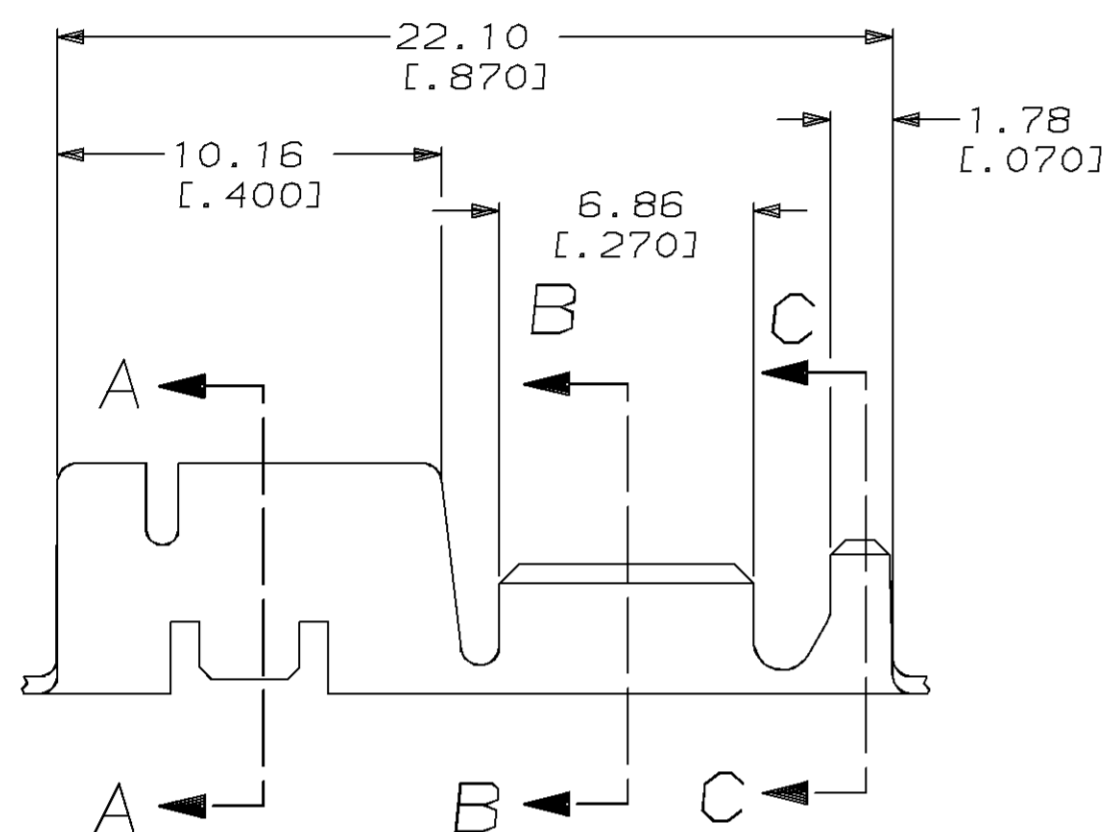
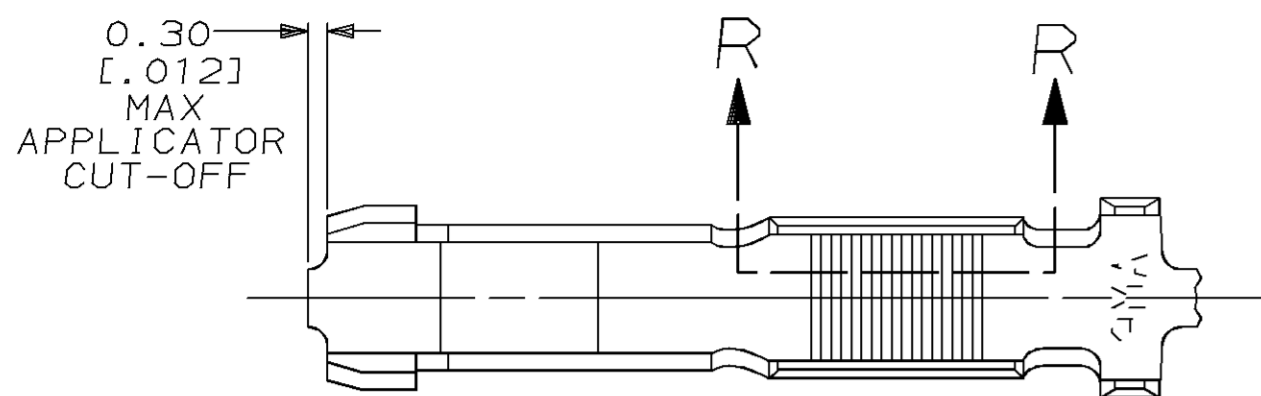


THIS DRAWING IS UNPUBLISHED. RELEASED FOR PUBLICATION ,19 .  
 © COPYRIGHT 19 BY AMP INCORPORATED. ALL INTERNATIONAL RIGHTS RESERVED.

LOC		DIST		P		F		ZONE		LTR		REVISIONS		DATE	APPD
AF	50									M		REV PER 0710-0111-95	20/MAR/95	PF/DD	

1 CONTINUOUS STRIP ON REELS WITH TERMINALS LOCATED ON 23.75 [.935] CENTERS.



1.90-3.18 DIA [.075-.125]	1500-4200 CMA	63454-1
INSULATION RANGE	WIRE RANGE	PART NO

DO NOT SCALE PRINT. UNLESS SPECIFIED DIMENSIONS IN MM [INCHES] TOLERANCES ON : 2 PLC DEC ± 0.25 [.010] 3 PLC DEC ± - ANGLES ± -	DR 11/12/87 MS FEHER	AMP INCORPORATED Harrisburg, Pa. 17105	
	CHK 11/17/87 G YETTER		
MATERIAL 0.51 [.020] #3 HARD PHOSPHOR BRONZE	APPD 11/17/87 J SWARTZ	NAME RECEPTACLE, CLUSTER PIN, AMPLIVAR, 3.18 [.125] DIA	
FINISH POST TIN	APPD 11/17/87 C ATHERTON	SIZE C	FSCM NO 00779
	PRODUCT SPEC -	DRAWING NO 63454	
	APPLICATION SPEC -	SCALE 5:1	SHEET 1 OF 1
	WEIGHT -		

**METRIC**